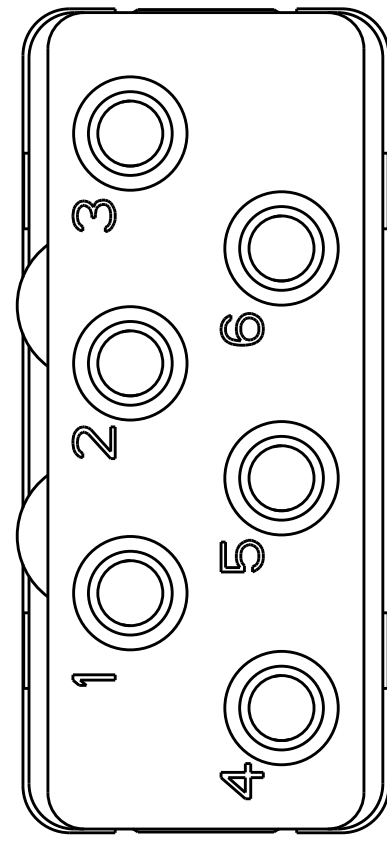
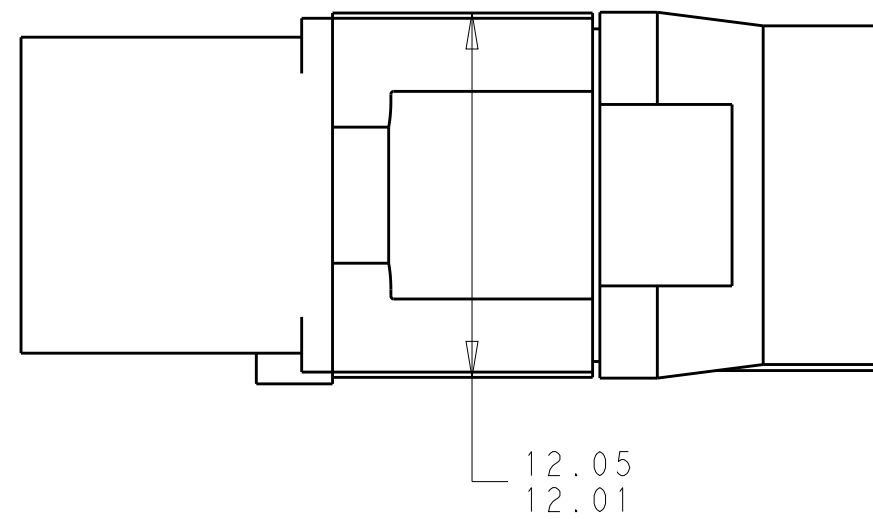
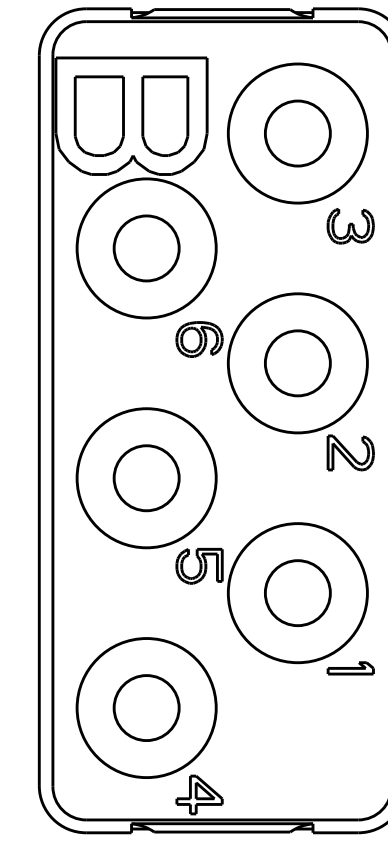
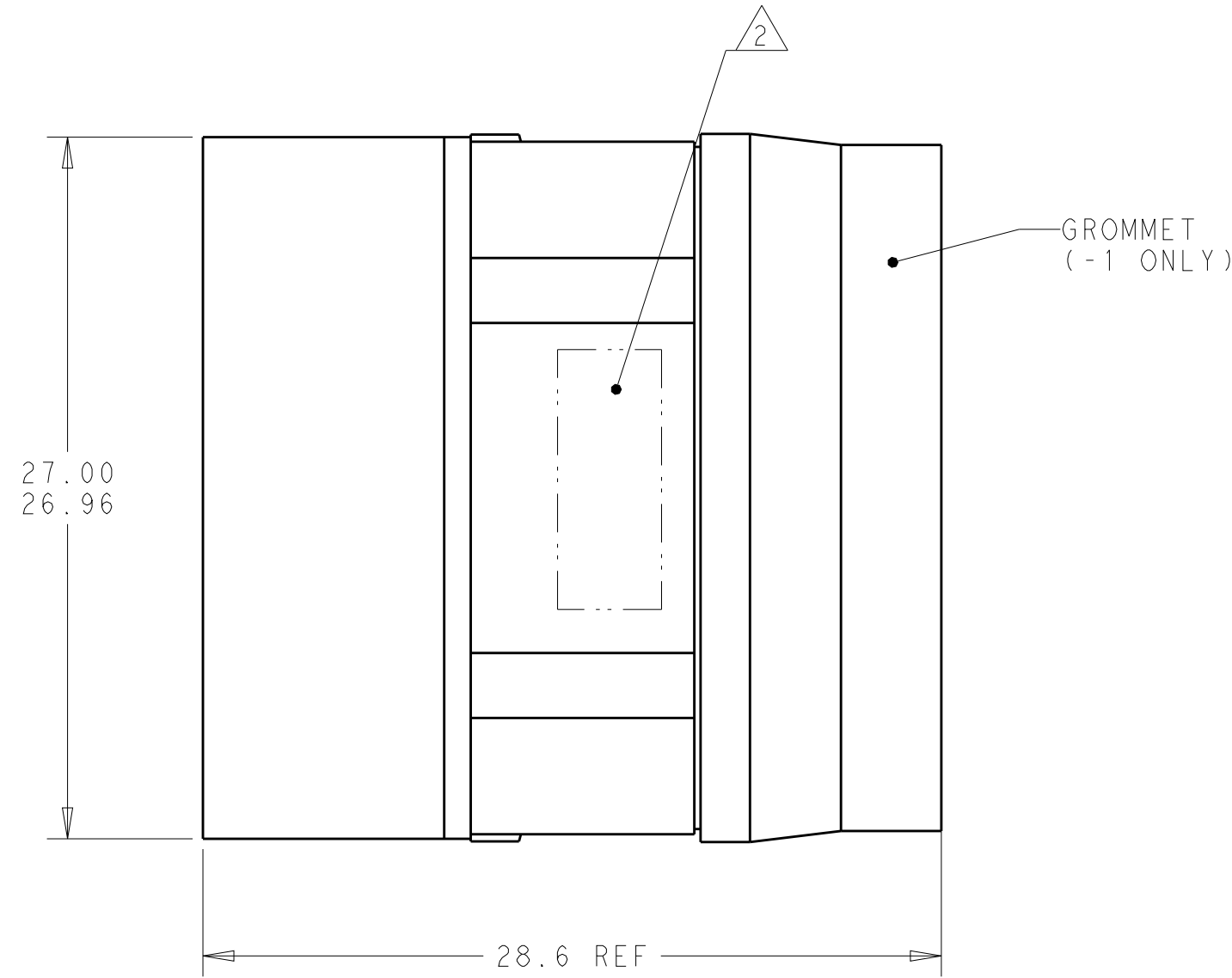


THIS DRAWING IS UNPUBLISHED. RELEASED FOR PUBLICATION
 © COPYRIGHT - BY - ALL RIGHTS RESERVED.

REVISIONS						
LOC	DIST	P	LTR	DESCRIPTION	DATE	APVD
-	-	B		REVISED PER ECO-12-018187	2NOV2012	CT KH



MATING FACE



THIS PRODUCT HAS NOT COMPLETED VALIDATION TESTING

NON-ENV	GPRBN06SB	1738104-2
ENVIRONMENTAL	GPRBE06SB	1738104-1
REMARKS	DESCRIPTIVE PART NO.	PART NUMBER

1 FRONT & REAR INSULATOR: HIGH-TEMP THERMOPLASTIC OR THERMOSET EPOXY PER ASTM D5948.
 CONTACT RETENTION CLIPS: STAINLESS STEEL PER AISI 302 OR COPPER ALLOY PER ASTM B194
 REAR GROMMET: FLUOROSILICONE ELASTOMER PER MIL-R-25988 B EXCEPT 4.6.6.1.

2 PART TO BE MARKED WITH TE IDENTIFICATION, TE PART NO. AND DATE CODE: YEAR & WEEK (YY WW) IN APPROXIMATE AREA SHOWN.

3. THIS INSERT CONTAINS: 6 CAVITIES FOR SIZE 12 PIN CONTACTS

4. THIS PRODUCT IS SOLD BY TYCO ELECTRONICS UNDER A LICENSE FROM RADIAL SA.

THIS DRAWING IS A CONTROLLED DOCUMENT.

DIMENSIONS:	TOLERANCES UNLESS OTHERWISE SPECIFIED:	DWN	10-30-09	TE Connectivity
mm	0 PLC ±	CHK	10-30-09	
	1 PLC ±	APVD	10-30-09	
	2 PLC ±0.05	PRODUCT SPEC		
	3 PLC ±	APPLICATION SPEC		NAME
	4 PLC ±	WEIGHT		INSERT ASSEMBLY, SOCKET, ARRANGEMENT 06, KEY B, GPRB
MATERIAL	ANGLES ±	SCALE	4:1	SIZE
	FINISH	CUSTOMER DRAWING		CAGE CODE
				DRAWING NO
				RESTRICTED TO
				A200779
				C-1738104
				SHEET 1 OF 1
				REV B